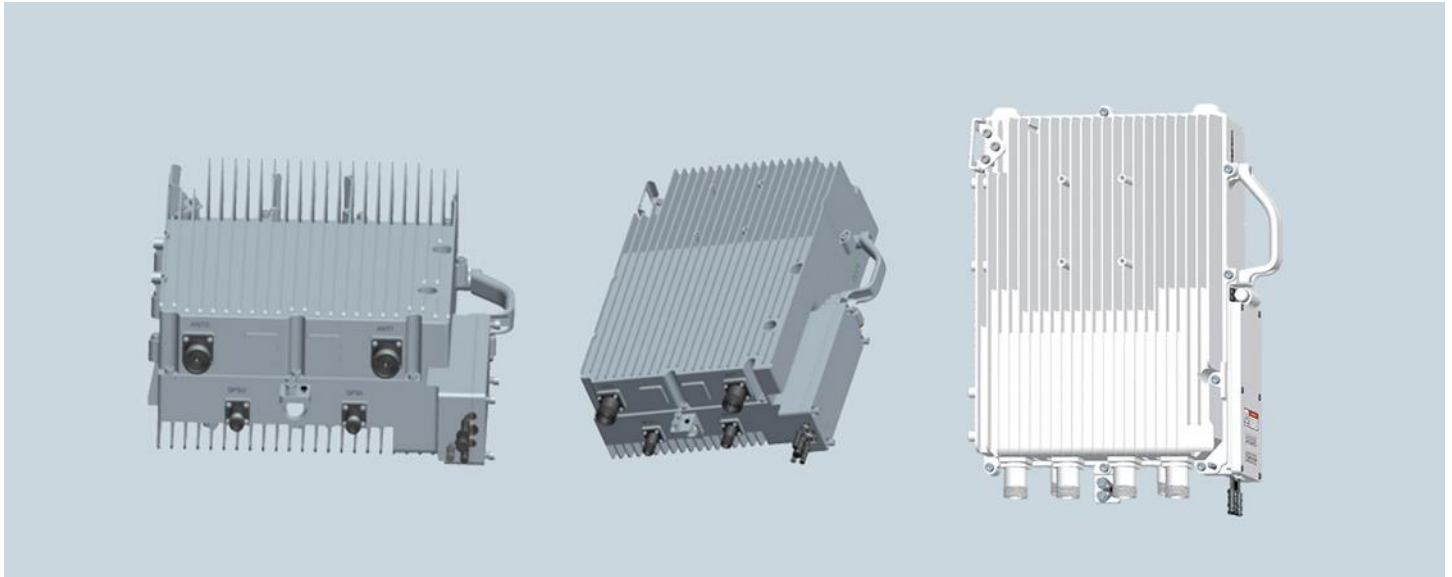


Nova-243 Outdoor TDD eNodeB



INTRODUCTION

The Baicells Nova-243 eNodeB (eNB) is an outdoor Long-Term Evolution (LTE) product that operates in Time Division Duplexing (TDD) mode. This eNB provides users with high-speed broadband wireless access to the Internet using 2*10W output power (2x2 MIMO with 10W output each channel). This unit is compact, lightweight, and easy to deploy.

The Nova-243 eNB offers excellent performance, helping operators to provide better coverage and higher capacity. The product comes with a standard one-year warranty; extended warranty is available.

FEATURES

Note: Features may vary based on model or region.

- Standard LTE TDD Bands 41/42/43/48
 - Customization may be requested; contact sales_na@baicells.com.
- 2.5 GHz or 3.5 GHz models
- Complies with 3GPP Release 9 standards
- GUI-based local and remote Web management
- TR069 network management interface support
- Any IP based backhaul can be used, including public transmission
- Lower power consumption to reduce OPEX
- Higher transmission power for extended coverage
- IoT with most Evolved Packet Core (EPC) vendors
- Supports 5/10/15/20 MHz bandwidth operation

- Excellent non-line-of-sight (NLOS) coverage performance
- Peak rate (20 MHz): DL 112 Mbps, UL 20 Mbps
- 96 concurrent users

HARDWARE SPECIFICATIONS

LTE Mode	TDD
Frequency Bands	41/42/43/48 and customized
Channel Bandwidth	5/10/15/20 MHz
Max Output Power	40 dBm / antenna
Power Supply	-48V DC, AC adaptor (multi-national standards)
Power Consumption	< 160W
Receive Sensitivity	-101 dBm
Synchronization	GPS, 1588v2*
Interfaces	2 RJ-45 Ethernet interfaces (1 GE ea.)
MIMO	DL: 2x2
Installation	Pole or wall mount
Antenna Type	External high-gain antenna compatible with eNB N-Type connectors
Dimensions (HxWxD)	17.3 x 9.5 x 5.5 inches 440 x 240 x 140 millimeters
Weight	26 lbs / 12 kg

SOFTWARE SPECIFICATIONS

LTE Standard	3GPP Release 9
Peak Rate	20 MHz: - SA1: DL 80 Mbps, UL 20 Mbps - SA2: DL 112 Mbps, UL 14 Mbps
SA - Special Subframe Assignment (configurable parameter)	10 MHz: - SA1: DL 40 Mbps, UL 10 Mbps - SA2: DL 55 Mbps, UL 5 Mbs
User Capacity	96 concurrent
QoS Control	3GPP standard QCI
Modulation	DL: QPSK, 16QAM, 64QAM UL: QPSK, 16QAM, 64QAM
Voice	VoLTE*
Traffic Offload	<ul style="list-style-type: none"> Local IP Access (LIPA) Selected IIP Traffic Offload (SIPTO)
SON	Self-organizing network: <ul style="list-style-type: none"> Automatic setup Automatic Neighbor Relation (ANR) PCI confliction detection
RAN Sharing	Supported
Network Mgmt	TR069
MTBF	≥ 150000 hours
MTTR	≤ 1 hour
Maintenance	<ul style="list-style-type: none"> Remote or local maintenance Online status management Performance statistics Fault management Local or remote software upgrade Logging Connectivity diagnosis Automatic start and configuration Alarm reporting KPI recording User information tracing Signaling trace

*Future software release

ENVIRONMENTAL SPECIFICATIONS

Operating Temperature	-40°F to 131°F -40°C to 55°C
Storage Temperature	-49°F to 158°F -45°C to 70°C
Humidity	5% to 95%
Atmospheric Pressure	70 kPa to 106 kPa
Ingress Protection Rating	IP66
Power Interface Lightning Protection	Differential Mode: ±10 KA Common Mode: ±20 KA

GLOBAL PART NUMBERS

BRU3501	<p>Nova-243 outdoor TDD eNodeB - LTE Release 9, 2x10W (40 dBm), 2 port, 3.5 GHz, B42/43/48</p> <ul style="list-style-type: none"> FCC certification: 2AG32BRU3501 (3400-3500 MHz) IC certification: 20982-BRU3501 (3450-3700 MHz)
BRU3510	<p>Nova-243 outdoor TDD eNodeB - LTE Release 9, 2x10W (40 dBm), 2 port, 2.5 GHz, B41</p> <ul style="list-style-type: none"> FCC certification: 2AG32BRU3510 (2501-2685 MHz) IC certification: 20982-BRU3510 (2500-2690 MHz)
BRU3511	<p>Nova-243 outdoor TDD eNodeB - LTE Release 9, 2x10W (40 dBm), 2 port, 3.5 GHz, B42</p> <ul style="list-style-type: none"> IC certification: 20982-BRU3511 (3450-3650 MHz)

Notes:

- Other models available for other regions. Contact sales_na@baicells.com.
- Customized versions may be requested.